



Illustrated Parts List



Questions? Help is just a moment away!

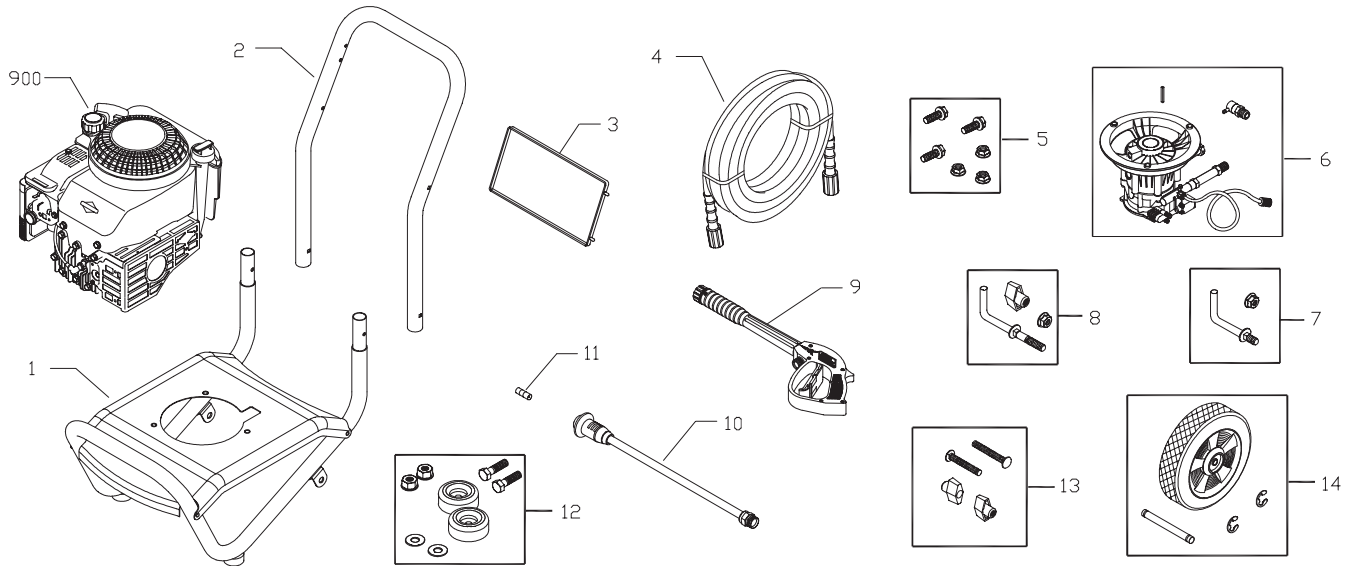
Call: **Pressure Washer Helpline**

1-800-743-4115 M-F 8-5 CT

BRIGGS & STRATTON POWER PRODUCTS GROUP, LLC
JEFFERSON, WISCONSIN, U.S.A.

Model No. 020223 (2400 PSI (165 BARS) Pressure Washer) Manual No. 203761A Revision - (06/26/2007)

Exploded View and Parts List — Main Unit



Item	Part #	Description
	1	195339GS BASE
	2	B194718GS HANDLE
	3	195052GS ASSY, Billboard w/Decal
	4	196006GS HOSE
	5	192529GS KIT, Pump Mounting Hardware
	6	199735GS ASSY, Pump
		194298GS Valve, Thermal Relief
		23139GS Key
	7	192309GS KIT, Hook, Base
	8	194264GS KIT, Hook, Handle
	9	193482GS GUN
	10	188792HGS WAND, Adjustable Nozzle
	11	21760GS ORIFICE
	12	192310GS KIT, Vibration Mount
	13	B2203GS KIT, Handle Connector
	14	194255GS KIT, Wheel
		192006GS Axle
		192050GS E-Ring
900	§	ENGINE

Items Not Illustrated:

203761GS	MANUAL, Operator's
MS6847	MANUAL, Engine
95456GS	QUICK CONNECT, Male
96016GS	QUICK CONNECT, Female
195347GS	KIT, Tag, Warning with Clip
192014GS	FITTING, Hose, 1/2
192015GS	FITTING, Hose, 3/4
6048	KIT, O-Ring Maintenance

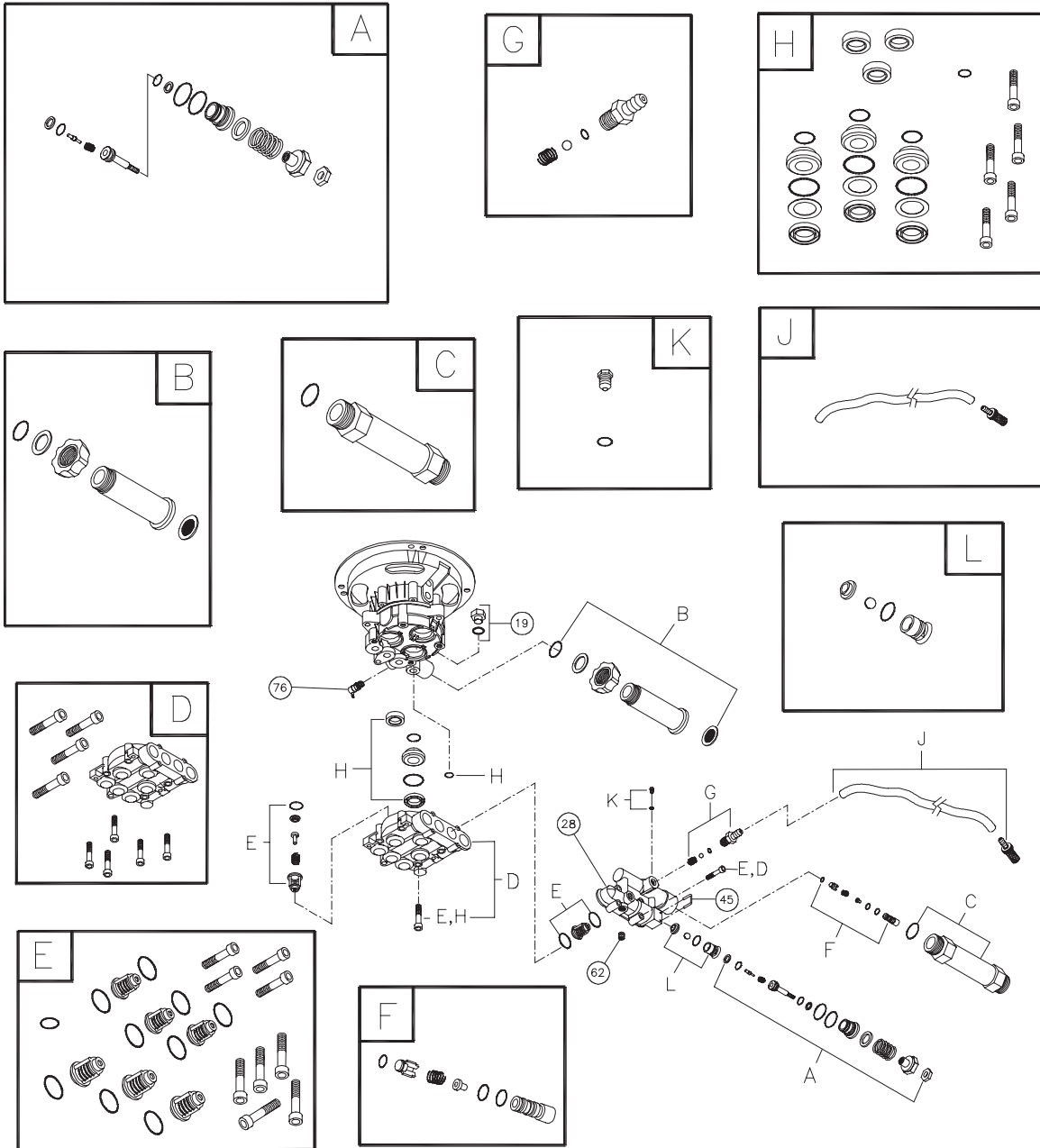
Optional Accessories

6039	PUMP SAVER
------	------------

§ - Contact Engine Manufacturer

Copyright © 2007 Briggs & Stratton Power Products Group, LLC. All rights reserved. No part of this material may be reproduced or transmitted in any form by any means without the express written permission of Briggs & Stratton Power Products Group, LLC.

Exploded View and Parts List — Pump



Item	Part #	Description
19	190571GS	CAP, Oil
28	190627GS	MANIFOLD
45	190578GS	PIN
62	190581GS	CAP, 1/8
76	194298GS	THERMO RELIEF
A	190594GS	KIT, UNLOADER STEM
B	190632GS	KIT, WATER INLET, ALUM
C	190634GS	KIT, OUTLET, ALUM
D	199708GS	KIT, HEAD ALUM
E	193806GS	KIT, CHECK VALVES
F	190592GS	KIT, INLET CHECK

Item	Part #	Description
G	190593GS	KIT, CHEMICAL INJECTION
H	193807GS	KIT, SEAL SET
J	189971GS	KIT, CHEMICAL HOSE
K	193971GS	KIT, PIPE FITTING
L	193972GS	KIT, UNLOADER SEAT

Parts Not Illustrated
 B2384GS FILTER, Inlet

NOTE: Item letters A - L are service kits and include all parts shown within the box.