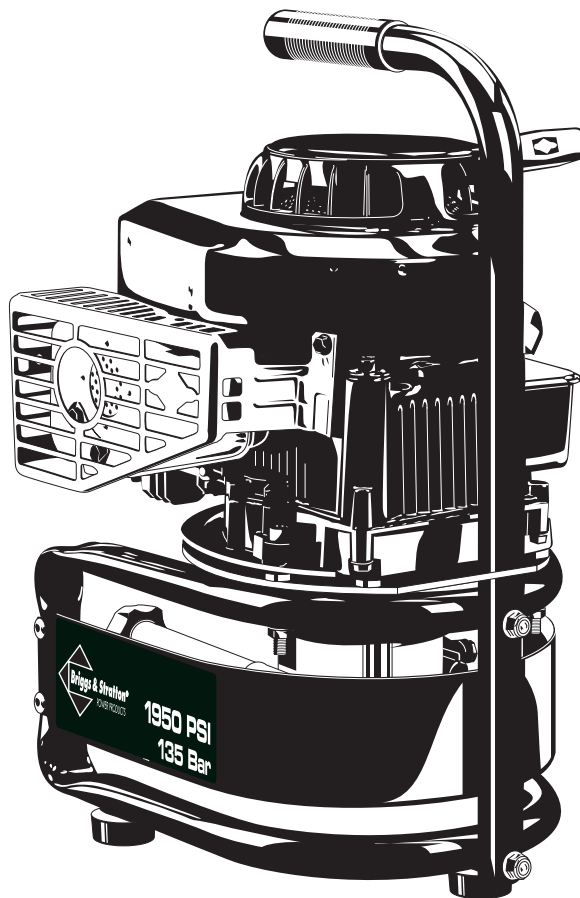




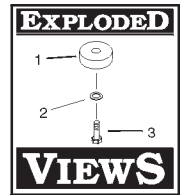
# 135 BAR 1950 PSI

*Illustrated Parts List*

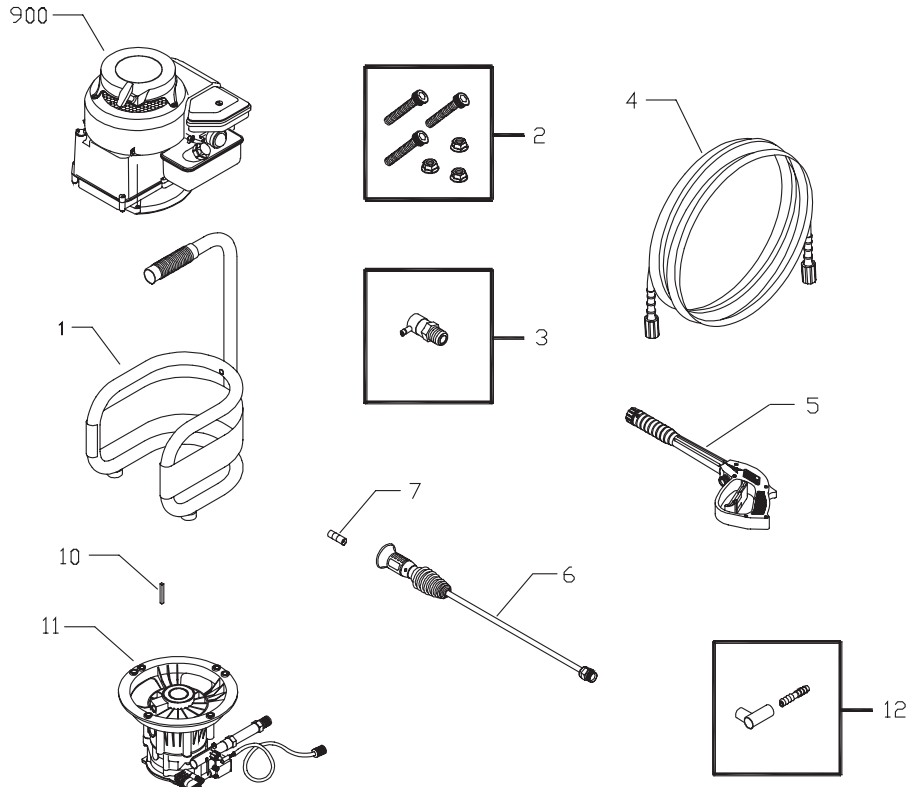


**BRIGGS & STRATTON POWER PRODUCTS GROUP, LLC  
JEFFERSON, WISCONSIN, U.S.A.**

Model No. 020222 (1950 PSI Pressure Washer) Manual No. 195062A Revision 0 (12/01/2004)



## EXPLODED VIEW AND PARTS LIST - MAIN UNIT

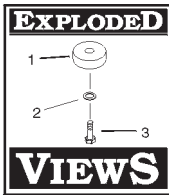


Item	Part #	Description
1	M194908GS	BASE
2	I92308GS	KIT, Pump/Engine Mounting Hardware
3	I94298GS	VALVE, Thermal Relief
4	I96006GS	HOSE
5	I93482GS	GUN
6	I94344DGS	ASSY, Wand Hi - Lo
7	I93609DGS	ORIFICE
10	23139GS	KEY
11	I94216GS	ASSY, Pump (see page 3)

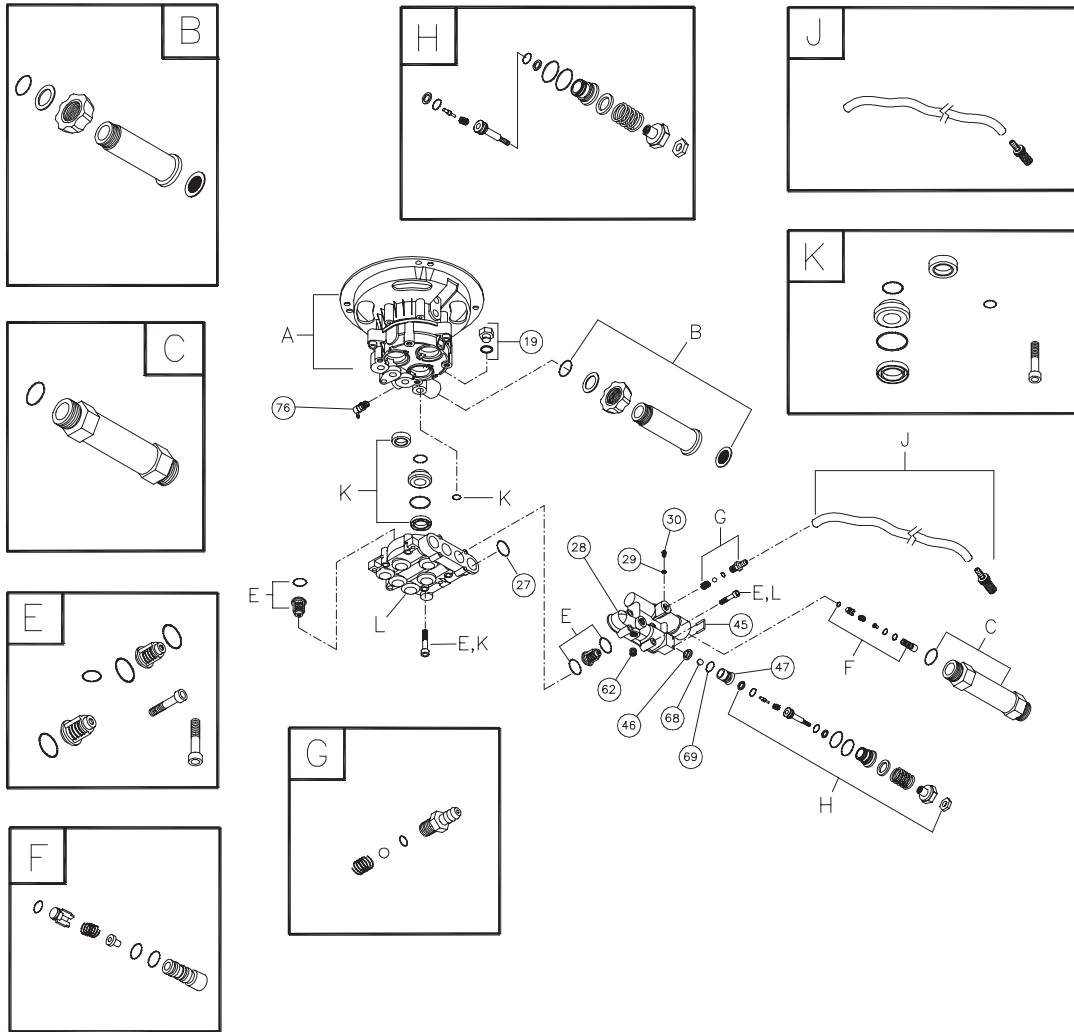
Item	Part #	Description
12	I95175GS	KIT, Chem Connector 90° w/Barb
900	.....	Contact Engine Manufacturer

### Items Not Illustrated

I95351GS	KIT, Decals
I95062GS	MANUAL, Owners
MS5373	MANUAL, Engine
I91922GS	KIT, O-Ring Maintenance
95456GS	CONNECT, Quick, Male
96016GS	CONNECT, Quick, Female



# EXPLODED VIEW AND PARTS LIST - PUMP



Item	Part #	Description
19	190571GS	CAP, Oil
28	190627GS	MANIFOLD
29	190575GS	O-RING, 4 X 2
30	190576GS	SCREW
45	190578GS	PIN
46	190629GS	VALVE, Seat Plate, Plastic
47	190630GS	VALVE, Seat, Plastic
62	190581GS	CAP, 1/8
68	190582GS	BALL, 7mm SS
69	190584GS	O-RING, 9.25 x 1.78
76	194298GS	THERMAL RELIEF

Item	Part #	Description
A	NSP	ASSY, CASE, PISTON
B	190632GS	KIT, WATER INLET, ALUM
C	190634GS	KIT, OUTLET, ALUM
E	190591GS	KIT, CHECK VALVES
F	190592GS	KIT, INLET CHECK
G	190593GS	KIT, CHEMICAL INJECTION
H	190628GS	KIT, UNLOADER STEM
J	189971GS	KIT, CHEMICAL HOSE
K	190636GS	KIT, SEAL SET
L	NSP	KIT, HEAD ALUM

**NOTE:** Items A - L are service kits and include all parts shown within the box.